

28P700

Illustrated Parts List

Model Series

28P700

TYPE NUMBERS
0026 through 0658.

TABLE OF CONTENTS

Air Cleaner	5
Alternator	9
Blower Housing/Shrouds	7
Cams	2
Carburetor	4
Controls	6
Crankcase Cover/Sump	2
Crankshaft	2
Cylinder	2
Electric Starter	10
Flywheel	8
Fuel Tank	6
Governor Spring	6
Head	3
Ignition	9
Kits/Gaskets-Carburetor	4
Kits/Gaskets-Engine	2
Kits/Gaskets-Valve	3
Muffler	5
Oil	3
Piston Group	2
Rewind	8
Valves	3

PRINTED IN U.S.A.

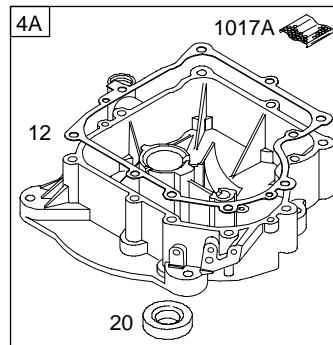
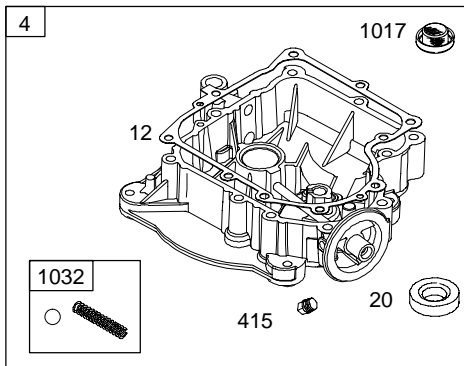
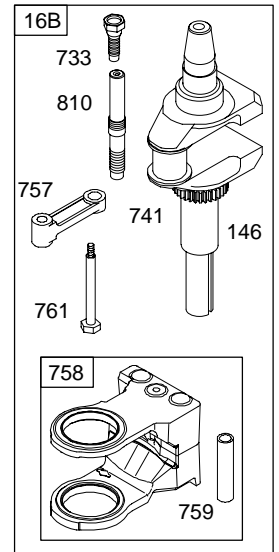
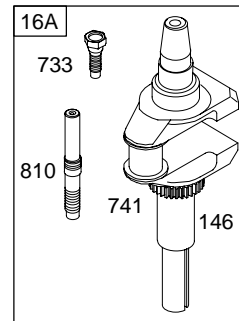
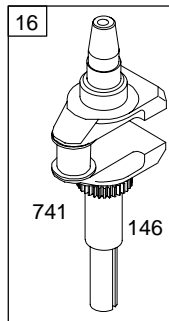
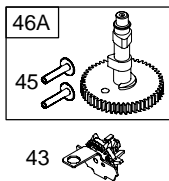
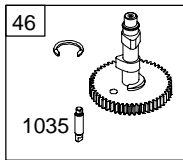
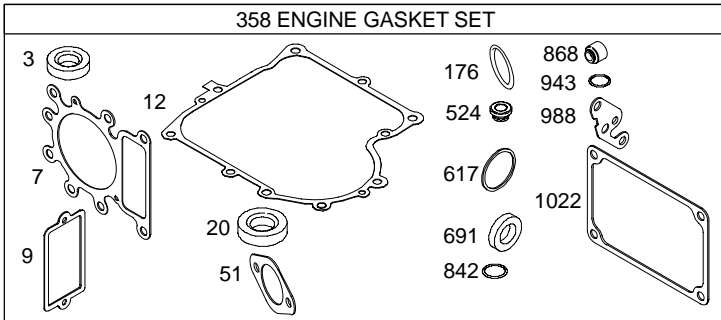
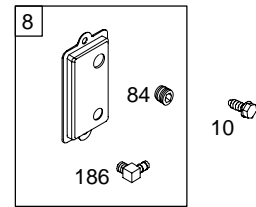
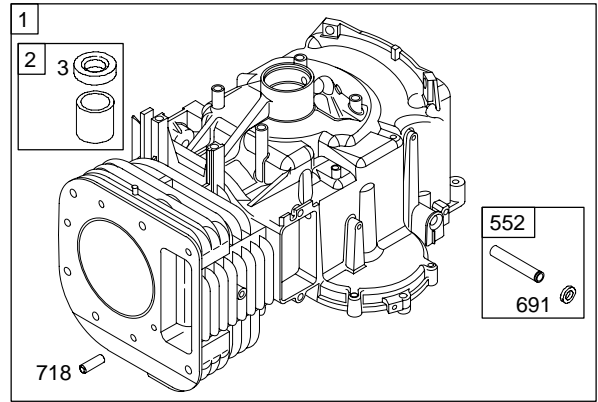
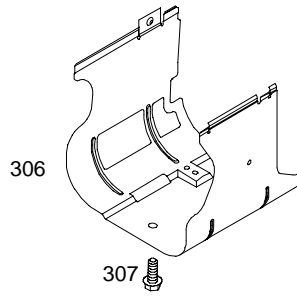
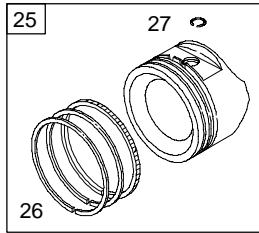
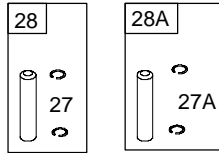
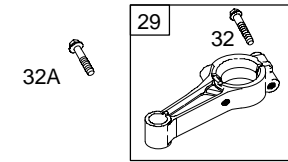


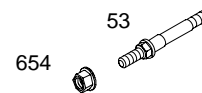
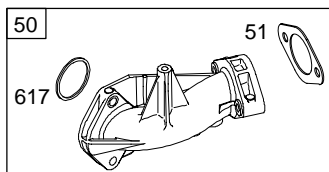
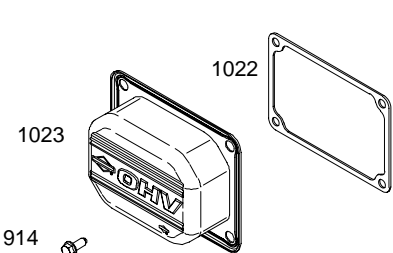
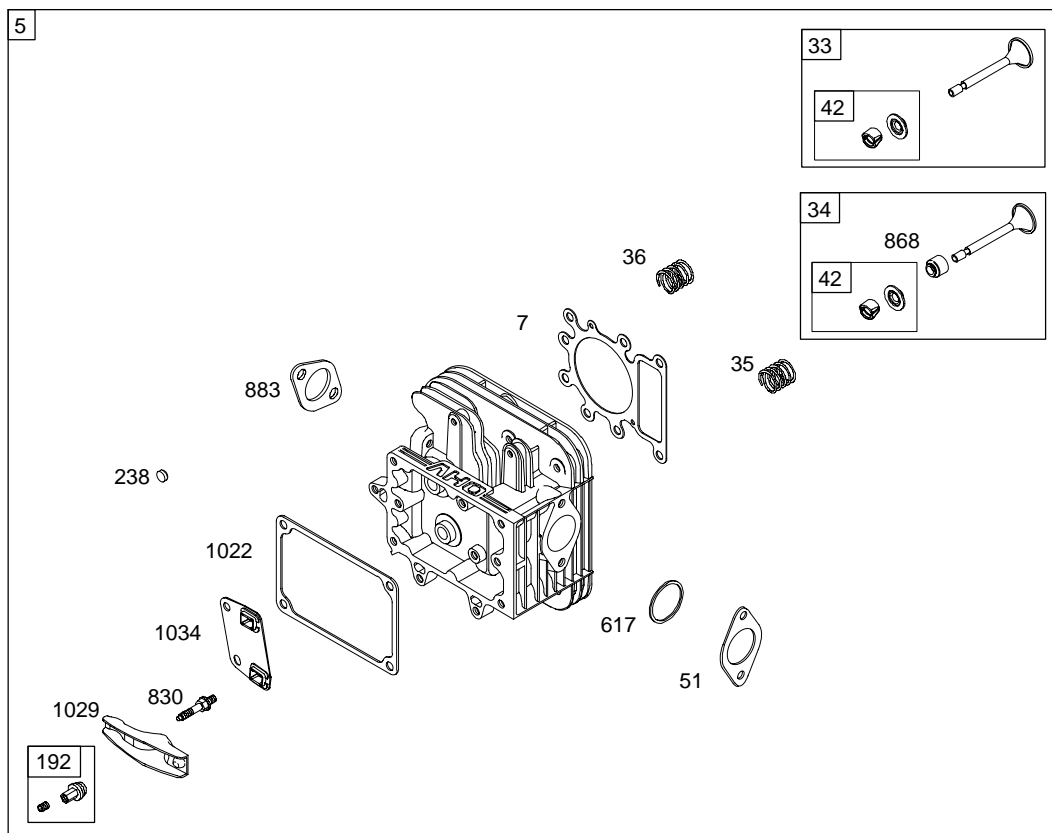
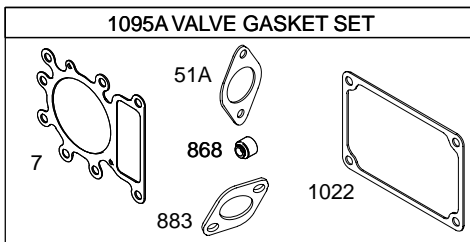
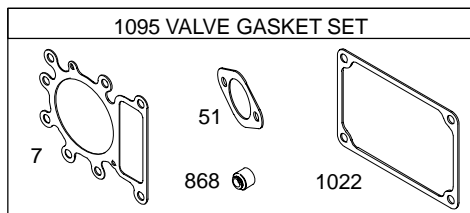
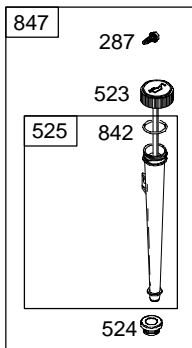
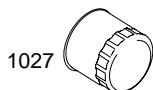
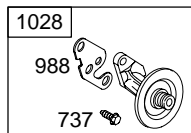
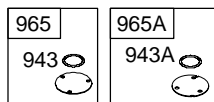
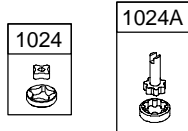
COPYRIGHT by BRIGGS & STRATTON CORPORATION
All rights reserved. No part of this material may be reproduced or transmitted,
in any form or by any means, electronic or mechanical, including photocopying,
recording or by any information storage and retrieval system, without permission
in writing from Briggs & Stratton Corporation.

28P700

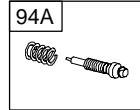
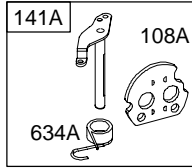
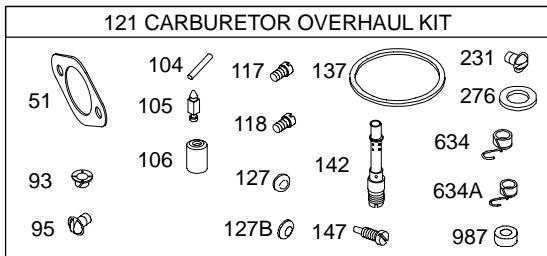
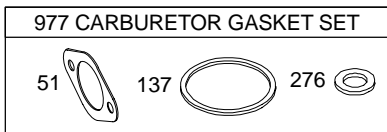
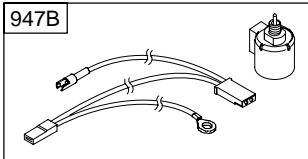
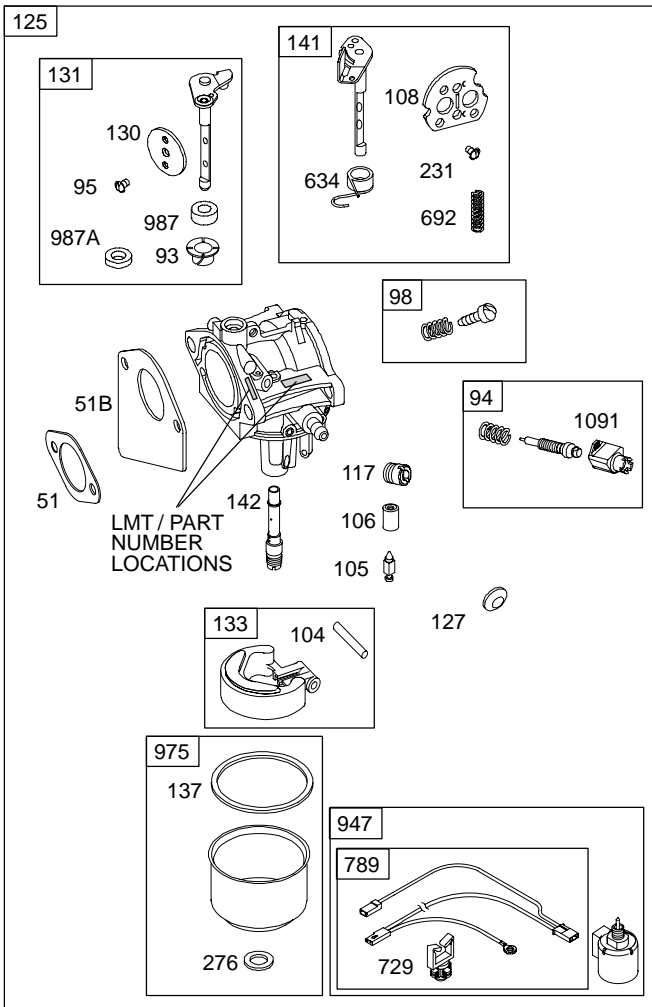
1058 OPERATOR'S MANUAL

1330 REPAIR MANUAL

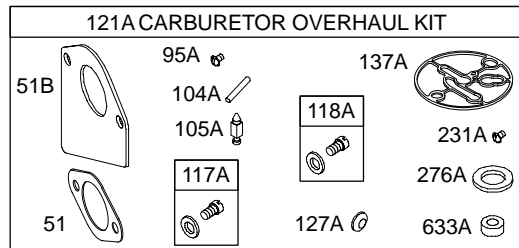
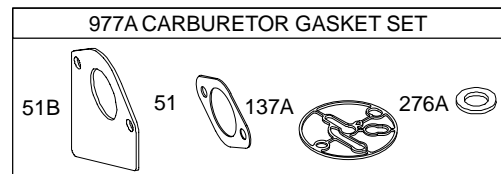
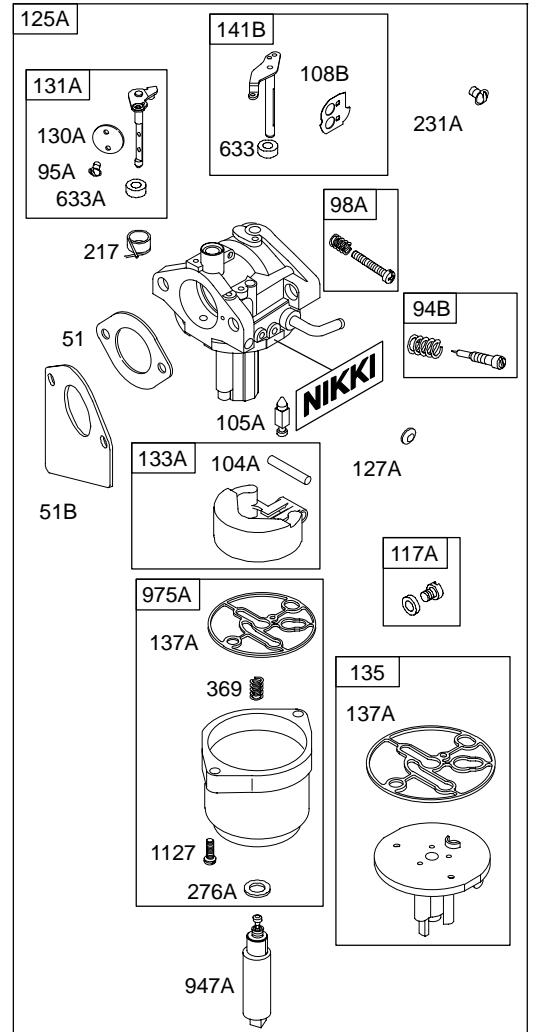


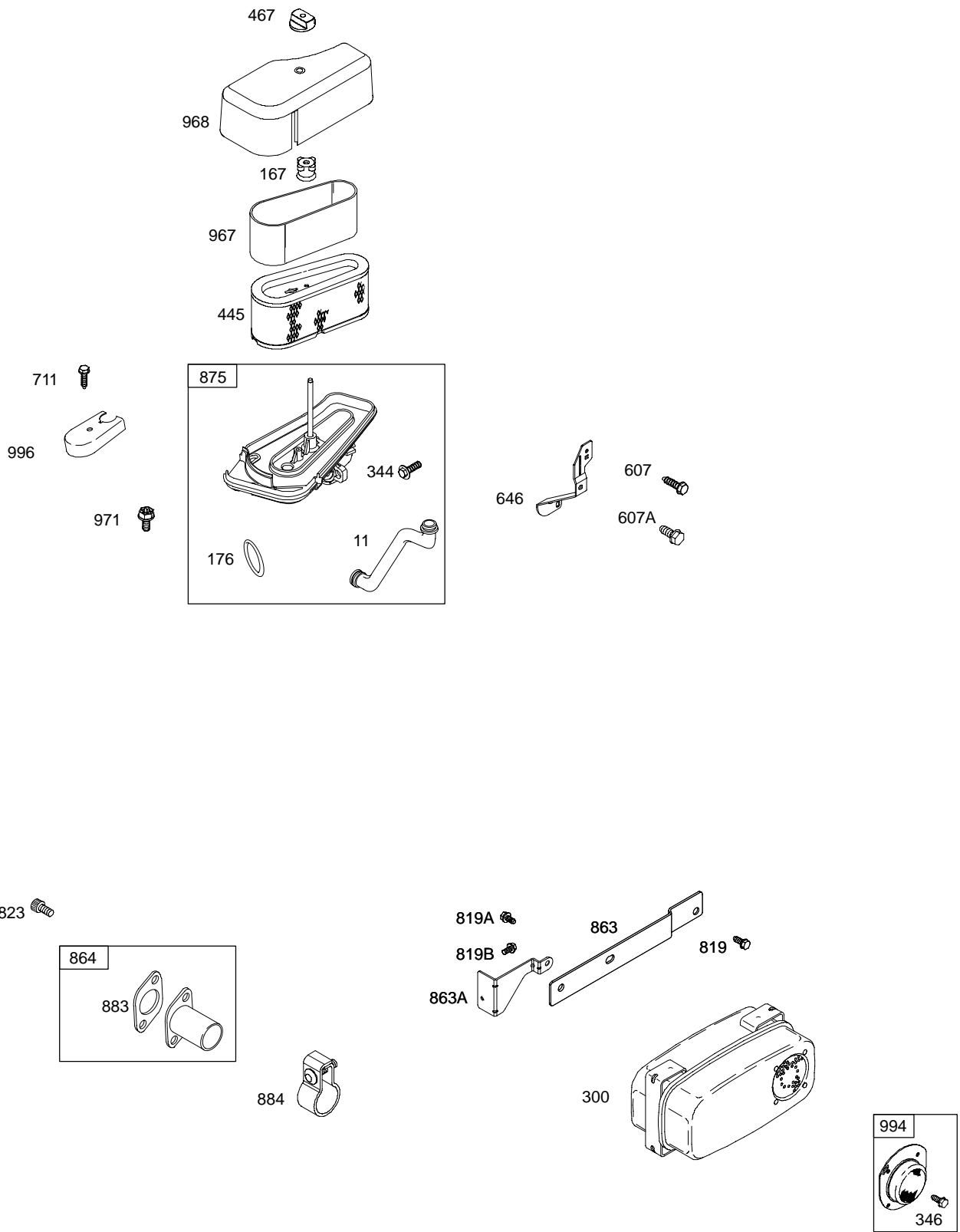


WALBRO

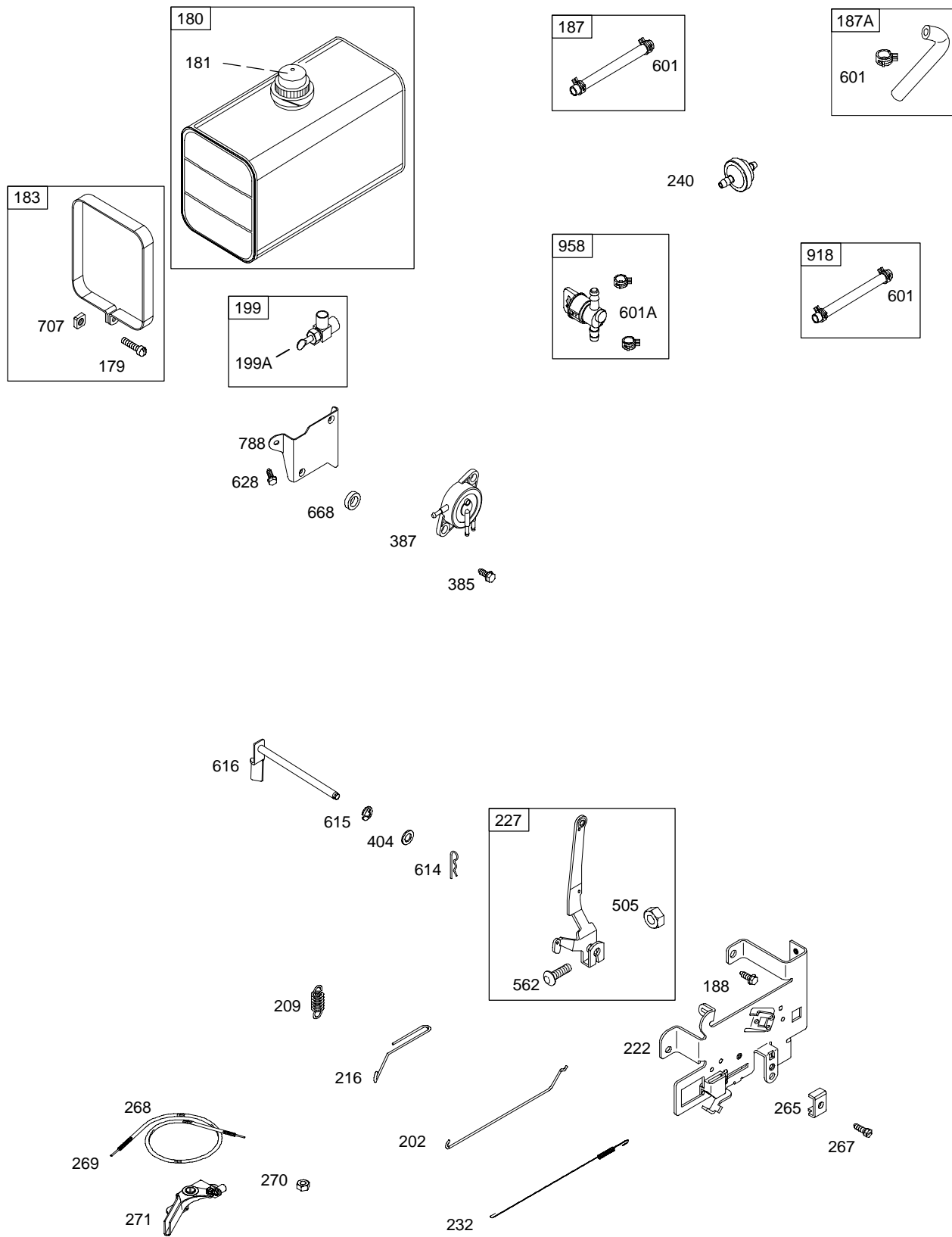


NIKKI



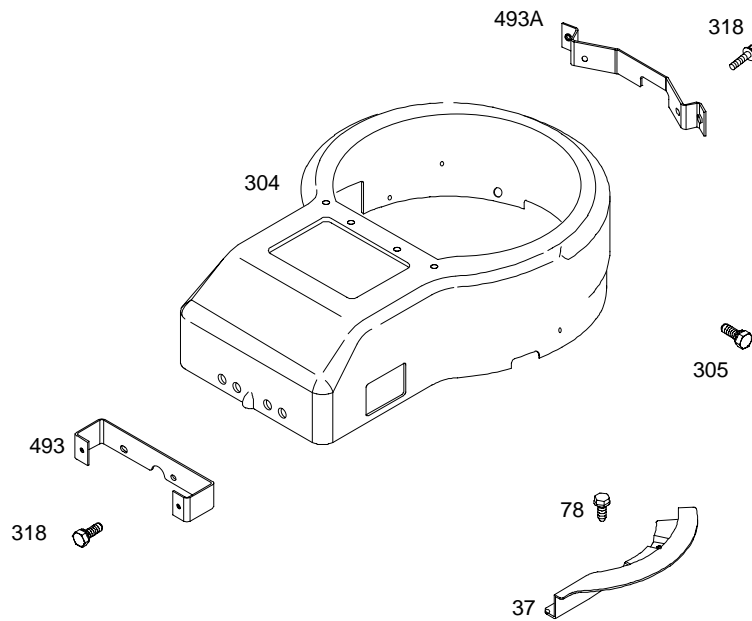
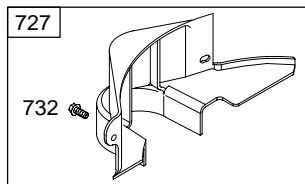
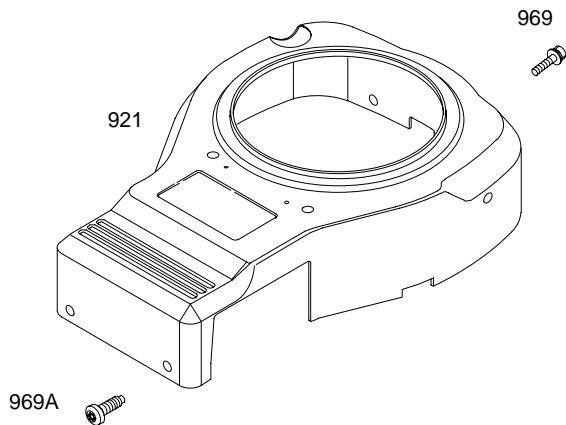


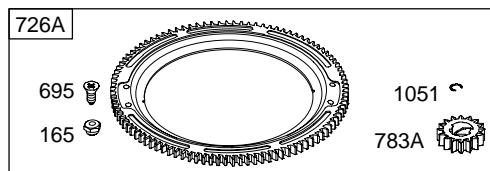
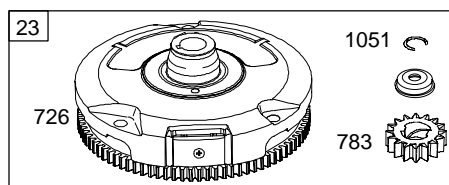
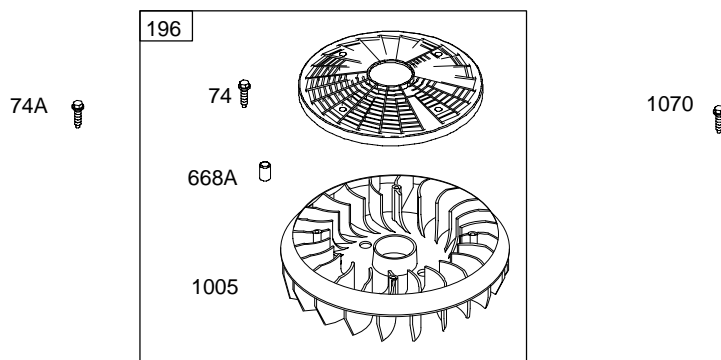
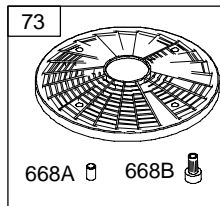
28P700

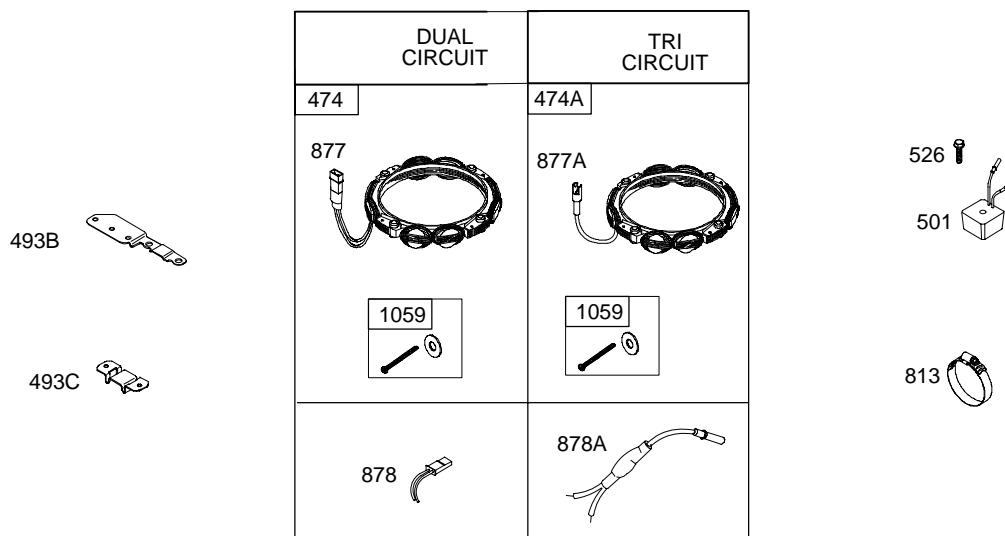


1019 LABEL KIT

1036 EMISSION LABEL



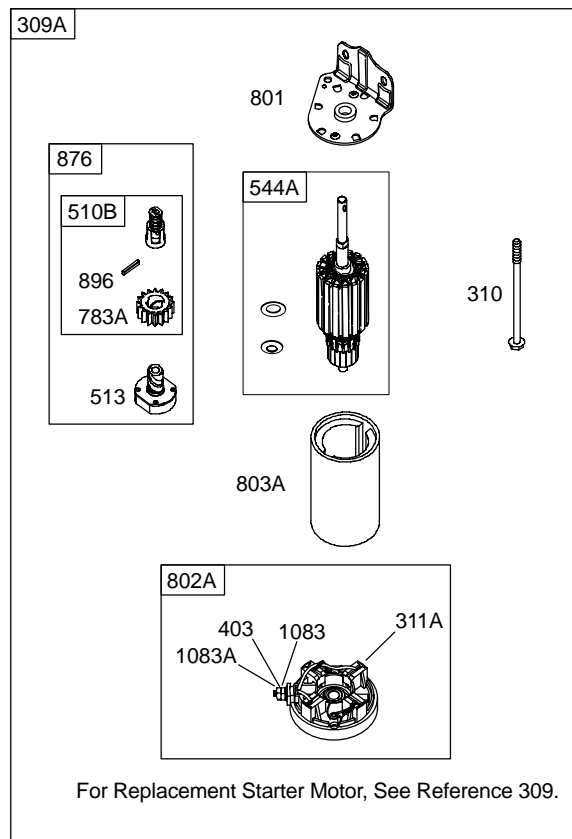
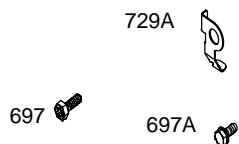
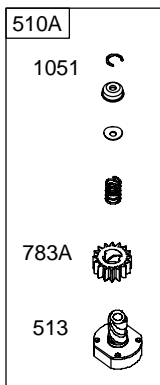
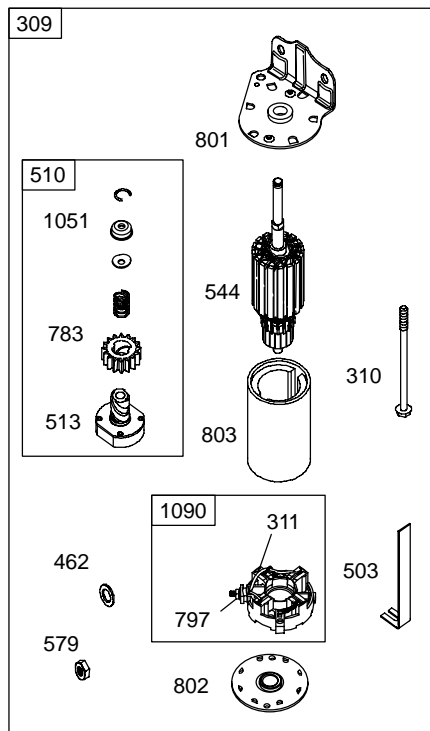




NOTE: ALL OLD STYLE STATORS USE
REFERENCE NUMBER 1119 MOUNTING SCREW



28P700



REF. NO.	PART NO.	DESCRIPTION	REF. NO.	PART NO.	DESCRIPTION	REF. NO.	PART NO.	DESCRIPTION		
1	496412	Cylinder Assembly	23	693556	Flywheel (Steel Ring Gear) ———— Note ————	26	696403	Ring Set (Standard) (Used After Code Date 01041800).		
2	399265	Kit–Bushing/Seal (Magneto Side)						696404 Ring Set (.010" Oversize) (Used After Code Date 01041800).		
3	★391086	Seal–Oil (Magneto Side)			693557 Flywheel (Steel Ring Gear) Used on Type No(s). 0134, 0163, 0530, 0635, 0644, 0646.			696405 Ring Set (.020" Oversize) (Used After Code Date 01041800).		
4	693582	Sump–Engine (Used After Code Date 98063000).	24	222698	Key–Flywheel			696406 Ring Set (.030" Oversize) (Used After Code Date 01041800).		
4A	496742	Sump–Engine (Used Before Code Date 98070100).	25	696397	Piston Assembly (Standard) (Used After Code Date 01041800).			696406 Ring Set (.030" Oversize) (Used After Code Date 01041800).		
5	698148	Head–Cylinder			696399 Piston Assembly (.020" Oversize) (Used After Code Date 01041800).			———— Note ———— 495854 Ring Set (Standard) (Used Before Code Date 01041900).		
7	Δ★273280	Gasket–Cylinder Head			696400 Piston Assembly (.030" Oversize) (Used After Code Date 01041800).			495851 Ring Set (.020" Oversize) (Used Before Code Date 01041900).		
8	696126	Breather Assembly			499284 Piston Assembly (Standard) (Used Before Code Date 01041900).			495855 Ring Set (.030" Oversize) (Used Before Code Date 01041900).		
9	★27803	Gasket–Breather			499292 Piston Assembly (.020" Oversize) (Used Before Code Date 01041900).	27	691299	Lock–Piston Pin (Used After Code Date 95101500).		
10	691666	Screw (Breather Assembly)				27A	691792	Lock–Piston Pin (Used Before Code Date 95101600).		
11	691328	Tube–Breather				28	498319	Pin–Piston (Standard) (Used After Code Date 95101500).		
12	★692226	Gasket–Crankcase (.015" Thick) (Standard) ———— Note ———— ★692406 Gasket– Crankcase (.005" Thick) ★692405 Gasket– Crankcase (.009" Thick)						———— Note ———— 498320 Pin–Piston (.005" Oversize) (Used After Code Date 95101500).		
13	690360	Screw (Cylinder Head)						28A	299691	Pin–Piston (Standard) (Used Before Code Date 95101600).
15	690946	Plug–Oil Drain								———— Note ———— 391286 Pin–Piston (.005" Oversize) (Used Before Code Date 95101600).
16	690136	Crankshaft (Used After Code Date 98063000).								
16A	693944	Crankshaft (Used After Code Date 95073100 and Before Code Date 98070100).								
16B	693653	Crankshaft (Used Before Code Date 95080100).								
20	★291675	Seal–Oil (PTO Side)								
22	692125	Screw (Crankcase Cover/ Sump)								

★ Engine Gasket Set – Reference 358

● Carburetor Overhaul Kit – Reference 121–Walbro

∅ Carburetor Overhaul Kit – Reference 121A–Nikki

0307–11

◆ Carburetor Gasket Set – Reference 977–Walbro

▽ Carburetor Gasket Set – Reference 977A–Nikki

Δ Valve Gasket Set – Reference 1095, 1095A

Assemblies include all parts shown in frames.

08/11/2004

28P700

REF. NO.	PART NO.	DESCRIPTION	REF. NO.	PART NO.	DESCRIPTION	REF. NO.	PART NO.	DESCRIPTION
29	692419	Rod-Connecting (Standard) (Used After Code Date 98063000). Note 494504 Rod-Connecting (Standard) (Used Before Code Date 98070100). 692420 Rod-Connecting (.020" Undersize) (Used After Code Date 98063000). 495490 Rod-Connecting (.020" Undersize) (Used Before Code Date 98070100).	50	690193	Manifold-Intake	95	691636	Screw (Throttle Valve)
			51	692137	Gasket-Intake (Used After Code Date 97100500).	95A	690718	Screw (Throttle Valve)
			51A	272569	Gasket-Intake (Used Before Code Date 97100600).	98	495800	Kit-Idle Speed
			51B	692284	Gasket-Intake (Used Before Code Date 97060600).	98A	695408	Kit-Idle Speed
			53	690227	Stud (Carburetor)	104	690525	Pin-Float Hinge
			54	691148	Screw (Intake Manifold) (1" Long) (Used After Code Date 97100500).	104A	694918	Pin-Float Hinge
			54A	690953	Screw (Intake Manifold) (3/4" Long) (Used Before Code Date 97100600).	105	231855	Valve-Float Needle
			73	494439	Screen-Rotating	105A	694922	Valve-Float Needle
			74	691674	Screw (Rotating Screen) (1 1/2" Long)	106	690577	Seat-Inlet (Gravity Feed) Note 691780 Seat-Inlet (Pump Feed)
			74A	698425	Screw (Rotating Screen) (1 1/4" Long)	108	690464	Valve-Choke
			75	690582	Washer (Flywheel)	108A	692344	Valve-Choke
			78	697561	Screw (Flywheel Guard)	108B	695419	Valve-Choke
			84	690343	Plug-Breather	117	692408	Jet-Main (Standard) (LMT 149, 150, 153, 154, 155, 156) Note 697228 Jet-Main (Standard) (LMT 33, 34, 73, 74, 121, 122, 129, 130, 132, 137, 138)
			93	690602	Bushing-Throttle Shaft	117A	695415	Jet-Main
			94	498030	Kit-Idle Mixture (LMT 153 154, 155, 156) Note 498032 Kit-Idle Mixture (LMT 129, 130, 131, 132, 137, 138)			
			94A	495932	Kit-Idle Mixture (LMT 33, 34, 73, 74, 121, 122, 124) Note 496589 Kit-Idle Mixture (LMT 149, 150)			
			94B	695425	Kit-Idle Mixture			
32	692852	Screw (Connecting Rod) (Used After Code Date 98063000).						
32A	690356	Screw (Connecting Rod) (1 7/8" Long) (Used Before Code Date 98070100). Note 690348 Screw (Connecting Rod) (1 5/8" Long) (Used Before Code Date 98070100).						
33	695760	Valve-Exhaust						
34	695761	Valve-Intake						
35	691279	Spring-Valve (Intake)						
36	691279	Spring-Valve (Exhaust)						
37	690456	Guard-Flywheel						
42	499586	Keeper-Valve						
43	691968	Slinger-Governor/Oil						
45	690564	Tappet-Valve						
46	698492	Camshaft (Used After Code Date 98063000).						
46A	790340	Camshaft (Used Before Code Date 98070100).						

★ Engine Gasket Set - Reference 358

● Carburetor Overhaul Kit - Reference 121-Walbro

∅ Carburetor Overhaul Kit - Reference 121A-Nikki

0307-12

◆ Carburetor Gasket Set - Reference 977-Walbro

▽ Carburetor Gasket Set - Reference 977A-Nikki

△ Valve Gasket Set - Reference 1095, 1095A

Assemblies include all parts shown in frames.

08/11/2004

REF. NO.	PART NO.	DESCRIPTION	REF. NO.	PART NO.	DESCRIPTION	REF. NO.	PART NO.	DESCRIPTION
118	692411	Jet–Main (High Altitude) (Carburetor Part Numbers 697480, 697481 and 697482) Note 232116 Jet–Main (High Altitude) (LMT 149, 150 153, 154, 155, 156) 231850 Jet–Main (High Altitude) (LMT 33, 34, 73, 74, 76, 121, 122, 124, 129, 130, 132, 137, 138)	142	●692412	Nozzle–Carburetor (LMT 149, 150, 153, 154, 155, 156) Note ●231990 Nozzle– Carburetor (LMT 33, 34, 73, 74, 121, 122, 129, 130, 137, 138)	209	692208	Spring–Governor (Green) Note 690480 Spring– Governor (Red) Used on Type No(s). 0635, 0646.
118A	∅695416	Jet–Main (High Altitude)	146	691639	Key–Timing	216	691840	Link–Choke
121	690191	Kit–Carburetor Overhaul	147	231985	Jet–Pilot (LMT 73, 74, 121, 122, 129, 130, 137, 138) Note ●497472 Jet–Pilot (LMT 33, 34)	217	695409	Spring–Choke Return
121A	695427	Kit–Carburetor Overhaul	165	693148	Nut (Ring Gear)	222	694042	Bracket–Control
125	698620	Carburetor (Gravity Feed) Note 698782 Carburetor (Pump Feed)	167	692297	Seal–Air Cleaner Nut	227	691374	Lever–Governor Control
125A		Carburetor (Nikki) (Service with Walbro Carburetor, Gravity Feed)	176	★691917	Seal–O–Ring (Air Cleaner Base)	231	●691636	Screw (Choke Valve)
127	●695005	Plug–Welch	179	690280	Screw (Fuel Tank Strap)	231A	∅690718	Screw (Choke Valve)
127A	∅690727	Plug–Welch	180	291488	Tank–Fuel	232	691842	Spring–Governor Link
127B	●694530	Plug–Welch	181	392305	Cap–Fuel Tank	238	691843	Cap–Valve
130	691750	Valve–Throttle	183	691937	Strap–Fuel Tank	240	298090	Filter–Fuel (Red) Note 394358 Filter–Fuel (White)
130A	695418	Valve–Throttle	186	691609	Connector–Hose (Vacuum Line) (Breather Assembly)	265	691024	Clamp–Casing
131	494379	Kit–Throttle Shaft	186A	692317	Connector–Hose (Carburetor) (Used Before Code Date 02102800).	267	690804	Screw (Casing Clamp)
131A	695421	Kit–Throttle Shaft	187	296004	Line–Fuel (Cut To Required Length)	268	661025	Casing–Control Wire (Cut to Required Length)
133	494381	Float–Carburetor	187A	699331	Line–Fuel (Formed) (10 1/4") (Cut to Required Length) Note 697907 Line–Fuel (Formed) (9.6")	269	691026	Wire–Control (Cut to Required Length)
133A	694914	Float–Carburetor	188	691693	Screw (Control Bracket)	270	691027	Nut (Control Wire Casing)
135	696142	Tube–Fuel Transfer	192	691986	Adjuster–Rocker Arm	271	691028	Lever–Control
137	●●281165	Gasket–Float Bowl	196	695493	Fan/Screen Assembly	276	●●692255	Washer–Sealing (Carburetor)
137A	∅▽695426	Gasket–Float Bowl	199	692302	Valve–Fuel Shut Off	276A	∅●▽695410	Washer–Sealing (Carburetor)
141	495097	Kit–Choke Shaft	199A	691940	Valve–Fuel Shut Off	287	691002	Screw (Dipstick Tube)
141A	495931	Kit–Choke Shaft	202	691841	Link–Mechanical Governor	300	690850	Muffler
141B	695420	Kit–Choke Shaft				304	690497	Housing–Blower
						305	691108	Screw (Blower Housing)
						306	690499	Shield–Cylinder
						307	691003	Screw (Cylinder Shield)

★ Engine Gasket Set – Reference 358

● Carburetor Overhaul Kit – Reference 121–Walbro

∅ Carburetor Overhaul Kit – Reference 121A–Nikki

0307–13

◆ Carburetor Gasket Set – Reference 977–Walbro

▽ Carburetor Gasket Set – Reference 977A–Nikki

△ Valve Gasket Set – Reference 1095, 1095A

Assemblies include all parts shown in frames.

08/11/2004

28P700

REF. NO.	PART NO.	DESCRIPTION	REF. NO.	PART NO.	DESCRIPTION	REF. NO.	PART NO.	DESCRIPTION
309	693551	Motor–Starter (3 5/8" Housing Length) (Steel Ring Gear Only) Note 497595 Motor–Starter (3 5/8" Housing Length) (Plastic Ring Gear Only) 693054 Motor–Starter (3 5/8" Housing Length) (Aluminum Ring Gear Only) 693552 Motor–Starter (4 3/8" Housing Length) (Steel Ring Gear Only) 497401 Motor–Starter (4 3/8" Housing Length) (Plastic Ring Gear Only) 499521 Motor–Starter (4 3/8" Housing Length) (Aluminum Ring Gear Only)	337	491055	Plug–Spark	510	693699	Drive–Starter (Used With Steel Ring Gear)
			344	693675	Screw (Cable Clamp)	510A	696541	Drive–Starter (Used With Aluminum and Plastic Ring Gears)
			346	690661	Screw (Spark Arrestor)	510B	696540	Drive–Starter
			356	690807	Wire–Stop	513	692024	Clutch–Drive
			358	691580	Gasket Set–Engine (Used After Code Date 97100500). Note 495993 Gasket Set–Engine (Used Before Code Date 97100600).	521	690581	Shield–Cable
			363	19203	Puller–Flywheel	523	692014	Dipstick
			369	695422	Spring–Float Bowl	524	★281370	Seal–Dipstick Tube
			383	89838	Wrench–Spark Plug	525	691398	Tube–Dipstick
			385	691108	Screw (Fuel Pump)	526	694476	Screw (Regulator) (Used After Code Date 99070400). Note 690326 Screw (Regulator) (Used Before Code Date 99070500).
			387	808656	Pump–Fuel	544	692034	Armature–Starter (3 5/8" Housing Length)
			403	690288	Washer (End Cap)	544A	390837	Armature–Starter (3 5/8" Housing Length) Note 490309 Armature–Starter (4 3/8" Housing Length)
			404	691691	Washer (Governor Crank)			
			415	690283	Plug (Pressure Relief Valve)			
			445	496894	Filter–Air Cleaner Cartridge			
309A		Motor–Starter (For Replacement Starter Motor, Order Reference 309)	462	691261	Washer (Starter Cable)			
			467	691668	Knob–Air Cleaner	552	491986	Bushing–Governor Crank
310	690323	Screw (Starter Motor) (3 5/8" Housing Length) Note 691263 Screw (Starter Motor) (4 3/8" Housing Length)	474	696459	Alternator (Dual Circuit)	562	92613	Bolt (Governor Control Lever)
			474A	696457	Alternator (Tri–Circuit)	579	691029	Nut (Starter Cable)
			479	691627	Screw (Oil Pump Screen) (Used Before Code Date 94110700).	601	95162	Clamp–Hose
			493	690493	Bracket–Mounting (Blower Housing Front)	601A	691038	Clamp–Hose (Black)
311A	395538	Brush Set (3 5/8" Housing Length)	493	690494	Bracket–Mounting (Blower Housing Rear)	607	690703	Screw (Air Cleaner Brace)
311B	490311	Brush Set (4 9/16" Housing Length)	493A	694475	Bracket–Mounting (Regulator)	607A	691693	Screw (Air Cleaner Brace)
			493C	691177	Bracket–Mounting (Regulator)	614	691620	Pin–Cotter
318	692127	Screw (Mounting Bracket) (Blower Housing)	501	691188	Regulator	615	93307	Retainer–Governor Shaft
333	492341	Armature–Magneto	503	691532	Strap–Starter	616	692012	Crank–Governor
334	691061	Screw (Magneto Armature)	505	691251	Nut (Governor Control Lever)	617	★692138	Seal–O Ring (Intake Manifold)
						628	690661	Screw (Fuel Pump Bracket)

★ Engine Gasket Set – Reference 358

● Carburetor Overhaul Kit – Reference 121–Walbro

∅ Carburetor Overhaul Kit – Reference 121A–Nikki

0307–14

◆ Carburetor Gasket Set – Reference 977–Walbro

∇ Carburetor Gasket Set – Reference 977A–Nikki

△ Valve Gasket Set – Reference 1095, 1095A

Assemblies include all parts shown in frames.

08/11/2004

REF. NO.	PART NO.	DESCRIPTION	REF. NO.	PART NO.	DESCRIPTION	REF. NO.	PART NO.	DESCRIPTION			
633	695414	Seal-Choke/Throttle Shaft (Choke)	741	691284	Gear-Timing	813	690635	Clamp			
633A	∅690998	Seal-Choke/Throttle Shaft (Throttle)	750	691033	Screw (Oil Pump Cover) (Used After Code Date 98063000).	819	690297	Screw (Muffler Bracket)			
634	●690801	Spring/Seal Assembly	750A	691108	Screw (Oil Pump Cover) (Used Before Code Date 98070100).	819A	691676	Screw (Muffler Bracket)			
634A	●690802	Spring/Seal Assembly	757	691714	Link-Counterweight	819B	691678	Screw (Muffler Bracket)			
635	691909	Boot-Spark Plug	758	692423	Counterweight	823	698941	Screw (Muffler Adapter)			
646	690460	Brace-Air Cleaner	759	691239	Pin-Counterweight	830	691095	Stud-Rocker Arm			
654	690958	Nut (Carburetor)	761	691096	Screw (Counterweight)	842	★691870	Seal-O Ring (Dipstick Tube)			
668	690510	Spacer (Fuel Pump) (Used Before Code Date 96070100).	761	691096	Screw (Counterweight)	847	496415	Dipstick/Tube Assembly			
668A	691215	Spacer (Rotating Screen)	783	693713	Gear-Pinion (Steel Ring Gear Only)	851	692424	Terminal-Spark Plug			
668B	691500	Spacer (Rotating Screen)	783A	695708	Gear-Pinion	863	691204	Bracket-Muffler			
691	★692407	Seal-Governor Shaft	788	692133	Bracket-Fuel Pump	863A	691205	Bracket-Muffler			
692	690572	Spring-Detent	789	692037	Harness-Wiring (Solenoid)	864	496750	Adapter-Muffler			
695	693109	Screw (Ring Gear)	797	693167	Nut (Brush Retainer)	868	Δ★690968	Seal-Valve			
697	690372	Screw (Drive Cap)	801	691283	Cap-Drive	875	696129	Base-Air Cleaner			
697A	691058	Screw (Drive Cap)	802	691286	Cap-End	876	696539	Kit-Pinion Spring			
707	690279	Nut (Fuel Tank Strap)	802A	395537	Cap-End (3 5/8" Housing Length)	877	393456	Wire/Connector- Alternator			
711	690703	Screw (Carburetor Shield)	803	693757	Housing-Starter (3 5/8" Housing Length)	877A	393537	Wire/Connector- Alternator			
718	690959	Pin-Locating	803A	398159	Housing-Starter (3 5/8" Housing Length)	878	691237	Harness-Alternator			
726		Gear-Ring (Steel) (Sold in Flywheel Kit, Reference 23 Only)			Note _____	878A	691955	Harness-Alternator			
726A	696537	Gear-Ring (Aluminum) (Services Plastic Ring Gear Only)			494205		883	Δ692236	Gasket-Exhaust		
727	490324	Cover-Starter Drive	810	691779	Extension-Crankshaft			884	690853	Clamp-Muffler	
729	691335	Clip-Wire (Wiring Harness/Solenoid))						896	691641	Pin-Drive Retainer	
729A	691224	Clip-Wire (Starter Motor)						914	691108	Screw (Rocker Cover)	
732	691002	Screw (Starter Drive Cover)						918	393815	Hose-Vacuum (Cut To Required Length)	
733	698139	Screw (Crankshaft Extension) (Without Washer)						921	690495	Cover-Blower Housing (Red)	
737	691118	Screw (Oil Filter Adapter)								Note _____	
										690496	Cover-Blower Housing (Black)

★ Engine Gasket Set – Reference 358

● Carburetor Overhaul Kit – Reference 121-Walbro

∅ Carburetor Overhaul Kit – Reference 121A-Nikki

0307-15

◆ Carburetor Gasket Set – Reference 977-Walbro

▽ Carburetor Gasket Set – Reference 977A-Nikki

Δ Valve Gasket Set – Reference 1095, 1095A

Assemblies include all parts shown in frames.

08/11/2004

28P700

REF. NO.	PART NO.	DESCRIPTION	REF. NO.	PART NO.	DESCRIPTION	REF. NO.	PART NO.	DESCRIPTION
934	690372	Screw (Fan Retainer)	987	●691326	Seal-Throttle Shaft	1036	695700	Label-Emissions (Used After Code Date 00063000).
943	690589	Seal-O-Ring (Oil Pump Cover) (Used After Code Date 98063000).	987A	692001	Seal-Throttle Shaft			———— Note ———
943A	★690604	Seal-O-Ring (Oil Pump Cover) (Used Before Code Date 98070100).	988	★691317	Gasket-Oil Adapter			694997 Label- Emissions (Used After Code Date 99093000 and Before Code Date 00070100).
947	692734	Solenoid-Fuel	994	392390	Arrestor-Spark			694318 Label- Emissions (Used After Code Date 98123100 and Before Code Date 9910010).
947A	695423	Solenoid-Fuel	996	690678	Shield-Carburetor			499364 Label- Emissions (Used After Code Date 97052500 and Before Code Date 98010100).
947B	497672	Solenoid-Fuel	1005	697853	Fan-Flywheel			499363 Label- Emissions (Used Before Code Date 97052600).
958	698183	Valve-Fuel Shut Off	1006	690452	Retainer-Fan (Used Before Code Date 01110100)			
965	499613	Cover-Oil Pump (Used After Code Date 98063000).	1017	690770	Screen-Oil Pump (Used After Code Date 98071900).			
965A	496745	Cover-Oil Pump (Used Before Code Date 98070100).	1017A	691216	Screen-Oil Pump			
967	272403	Filter-Pre Cleaner	1017B	225019	Screen-Oil Pump (Used Before Code Date 94110700).			
968	692355	Cover-Air Cleaner	1019	496758	Kit-Label			
969	691108	Screw (Blower Housing Cover)	1022	Δ★272475	Gasket-Rocker Cover			
969A	690365	Screw (Blower Housing Cover)	1023	692492	Cover-Rocker			
971	692129	Screw (Air Cleaner Base To Carburetor) (Used After Code Date 97100500).	1024	499054	Pump-Oil (Used After Code Date 98063000).			
		———— Note ———	1024A	493884	Pump-Oil (Used Before Code Date 98070100).			
		690810 Screw (Air Cleaner Base To Carburetor) (Used Before Code Date 97100600).	1026	692003	Rod-Push (Intake)			
975	495933	Bowl-Float			———— Note ———			
975A	695417	Bowl-Float			692011 Rod-Push (Exhaust)			
977	690192	Gasket Set-Carburetor	1027	492932	Filter-Oil			
977A	695428	Gasket Set-Carburetor	1028	496744	Adapter-Oil Filter			
			1029	691751	Arm-Rocker			
			1032	491710	Ball-Oil Pump			
			1034	690822	Guide-Push Rod			
			1035	693784	Shaft-Pump (Used After Code Date 98063000).			
						1044	691658	Screw (Flywheel)
						1051	691265	Ring-Retaining
						1054	280275	Tie-Cable
						1055	690528	Tube-Oil Pump
						1058	275935	Operator's Manual
						1059	698516	Kit-Screw/Washer (Alternator)
						1070	690372	Screw (Flywheel Fan)
						1083	690958	Nut (End Cap) (Serrated)
						1083A	691626	Nut (End Cap)
						1090	691293	Retainer-Brush
						1091	691333	Cap-Limiter
						1095	691581	Gasket Set-Valve (Used After Code Date 97100500).
						1095A	495992	Gasket Set-Valve (Used Before Code Date 97100600).
						1119	691183	Screw (Alternator)
						1127	695407	Screw (Float Bowl)
						1330	272147	Repair Manual

★ Engine Gasket Set – Reference 358

● Carburetor Overhaul Kit – Reference 121-Walbro

∅ Carburetor Overhaul Kit – Reference 121A-Nikki

0307-16

◆ Carburetor Gasket Set – Reference 977-Walbro

∇ Carburetor Gasket Set – Reference 977A-Nikki

Δ Valve Gasket Set – Reference 1095, 1095A

Assemblies include all parts shown in frames.

08/11/2004